

NetLauncher Crime Prevention Equipment  
Instruction Manual

*ST-S (With Drawstring)*



Warning

- Read this instruction manual thoroughly before use.
- Be sure to follow all of the warnings and instructions.
- This instruction manual also contains the warranty card. Store this manual in a safe place and refer to it again whenever necessary.

 NIPPON KOKI CO., LTD.

Contents

	Page
1. Introduction	...2
2. Accessories and Names of Parts	...3
3.  Safety Precautions	...4
4. Operating Procedure	...8
5. Storage and Disposal	...12
6. Troubleshooting	...13
7. Customer Service	...14
8. Product Specifications	...14

## 1. Introduction

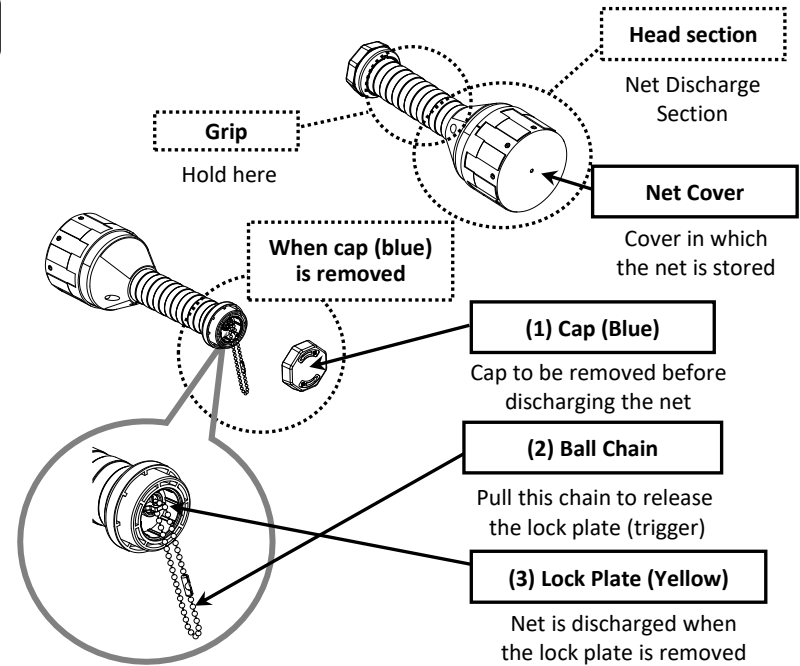
The Netlauncher ST-S releases a net that can help to prevent or reduce the chance that a criminal will harm anyone. Of course, the Netlauncher cannot always prevent injury or other loss and should be carefully used in accordance with these instructions.

Other prevent techniques, such as running away from the criminal or calling the police or a bystander for help, might be better under the circumstances.

1

## 2. Names of Parts

### 2-1. Names and Functions of Parts




### 3. ⚠ Safety Precautions

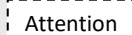
**Before using this product, be sure to fully read and understand this Instruction Manual and follow all of the instructions.**

#### 3-1. Classification of Warnings

There are three types of warnings used in this instruction manual, "Warning", "Caution" and "Attention" which indicate different levels of danger (or levels of damage) that may occur if the product is handled incorrectly.

 **Warning** Incorrect handling may result in death or serious injury.

 **Caution** Incorrect handling may result in serious injury.

 **Attention** Incorrect handling may result in damage, malfunction or shortened service life of the product.

#### 3-2 Safety Alert Symbols

  : Safety Alert Symbols

Failure to follow the warnings accompanied by this symbol may cause an accident resulting in injury or death.

### 3-3. Important Safety Instructions

#### Warning

**Mistaken handling of this product may result in the net being suddenly discharged, resulting in an accident that could cause serious injury such as blindness. Be sure to follow the instructions below.**

● Store out of reach of children.

● Never look down at the net cover. Do not point at anyone unless you are trying to put the net over their body.

● Do not remove the blue cap unless you intend to use this product.

● Never attempt to disassemble, modify or repair this product.

● Do not put unused products in a fire.

**Follow the instructions below to prevent accidents resulting in blindness or fire.**

● Keep this product away from fire.

● Do not take near a location where there is a strong magnetic field or radio waves.

Doing so may cause the product to malfunction, resulting in a possible injury.

● Do not subject this product to impact or place heavy items on top.

● Do not use outdoors in strong winds (bad weather conditions) or allow the product to get wet unnecessarily.

3

3

 **Caution**

● **Do not use this product on animals unless they are attacking you.**

Legal punishment may occur if an animal is injured as a result of becoming entangled in the net.

● **Do not pull the net with great force to remove it from a person.**

Doing so may injure the person.

Follow the instructions below to ensure that the product operates correctly when needed.

Failure to do so may result in deformation of the product or malfunctions, etc.

● **Do not use after the expiration date (4 years after purchase).**  
The product may not operate when needed.

● **Do not remove the net cover.**  
Doing so may prevent the product from operating correctly.

● **Dispose of the product immediately after use.**

● **Do not reattach the net cover after use.**

● **This product (Netlauncher ST-S) is equipped with a drawstring, which pulls the net into a bag-like shape after the net is discharged. However, please note that the net may not form a bag shape depending on how it is used.**

● **Please note that the product and the content of this manual may be changed for improvement purposes without prior notification.**

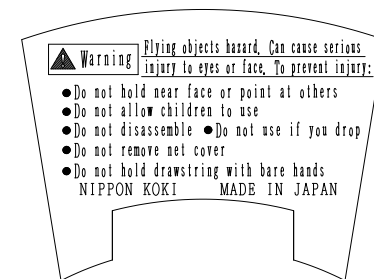
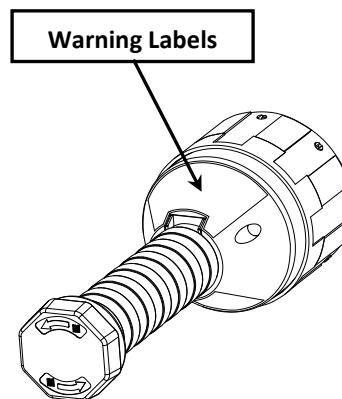
## Disclaimer

- This product is designed for crime prevention and crime deterrence. NIPPON KOKI CO., LTD. cannot accept any responsibility whatsoever for any accidents or damage that may arise as the result of the use of this product.
- Never attempt to disassemble or modify this product. NIPPON KOKI CO., LTD. cannot accept any responsibility whatsoever for any accidents or damage that may arise as the result of disassembling or modifying this product.
- The net can become entangled as a result of the suspicious person's movements. NIPPON KOKI CO., LTD. cannot accept any responsibility whatsoever for any accidents or damage that may arise as the result of removing the net.

3

3

### 3-3. Warning Labels

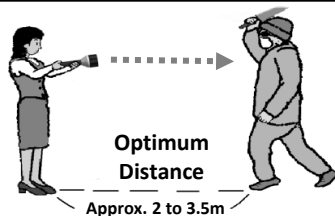


Netlauncher ST-S (With Drawstring)

## 4. Operating Procedure

- 1 (1) Remove the cap (blue).  
(2) Aim at the chest of the target individual.

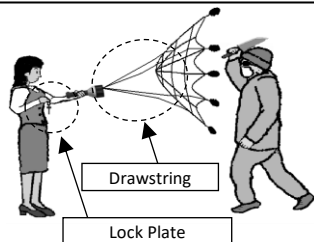
Hold the product firmly with one hand, keeping it horizontal.



**Attention** Do not hold the head section. (The product may not operate correctly.)

- 2 (1) Grasp the ball chain.  
(2) Pull the lock plate out of the grip.

The drawstring is ejected together with the net.



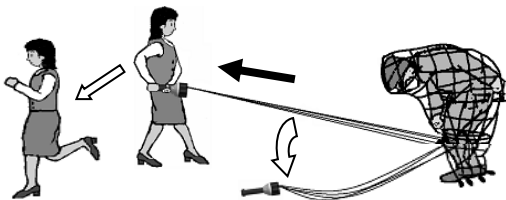
\*Refer to "4-3 Pulling Out the Lock Plate" for details on how to operate the lock plate.

- 3 (1) The net covers the target.  
(2) **Grasp the grip** and pull the drawstring forward.  
(3) Place the product on the ground and run away.

Grasp the grip and pull until the drawstring stretches

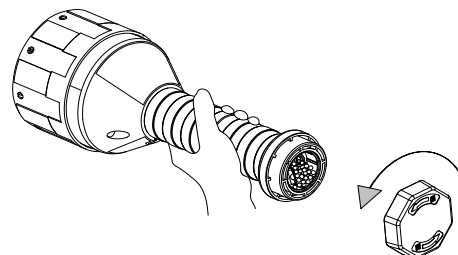
**Caution**

Do not hold the drawstring with bare hands (doing so may result in injury)

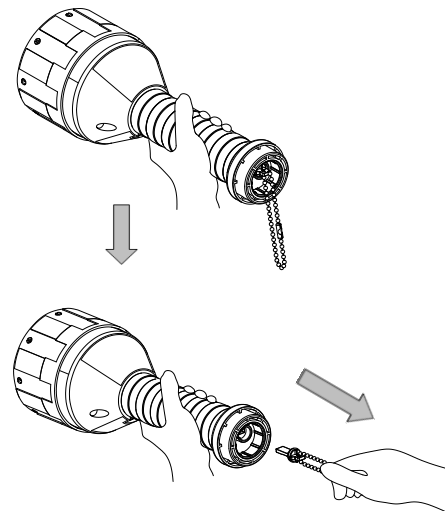


## 4-2. Pulling Out the Lock Plate

- 1 Rotate the cap (blue) to the left (counter-clockwise) to remove it.

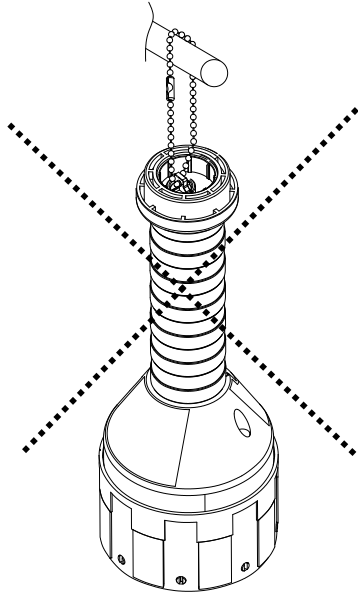


- 2 (1) The ball chain hangs down.  
(2) Grasp the ball chain, and pull it towards yourself until the lock plate comes out of the grip.



**Warning**

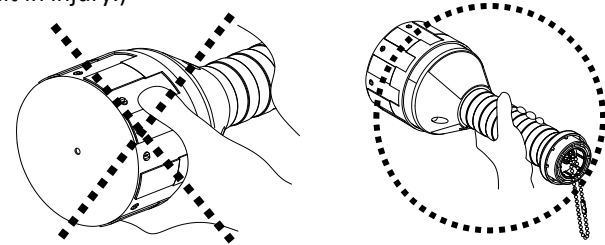
- **Do not remove the cap (blue) unless using the product.**  
(Doing so may cause the product to operate unexpectedly.)
- **The ball chain stored inside the cap (blue) is the discharge switch for the net. Therefore, do not touch it unless using the product, and do not use it to hang the product on a wall, etc.**  
(Doing so may cause the product to operate unexpectedly due to unintentional operation or hanging the ball chain on the wall.)



- **Do not use outdoors in strong winds (bad weather conditions) or allow the product to get wet unnecessarily.**  
(Doing so may result in malfunction or abnormal performance.)

**Caution**

- **Grip the product tightly, and make sure you are on stable footing and in a stable posture to prevent falling.**
- **Do not hold the head section during use.**  
(Doing so may prevent the product from operating correctly, or may result in injury.)

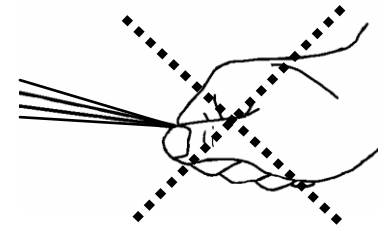


4

4

**Caution**

- **Do not hold the drawstring with bare hands when pulling the drawstring.**  
(Doing so may cause cut hands or fingers. Hold the grip in order to pull the drawstring.)



## 5. Storage and Disposal

### 5-1. Storage

#### Warning

- Store the product indoors.
- Do not store in a location that is subject to high temperatures and humidity (temperatures over +40°C, humidity higher than 90%) or harsh cold (temperatures lower than -10°C), and store away from fire.
- Follow the instructions below when storing inside a vehicle.
  - Always keep the product in a bag or the packing materials (Styrofoam packaging container), and secure so that the product cannot roll inside the vehicle. (Impact, etc. may cause damage to the product or prevent it from operating normally.)
  - Store in a place that is out of direct sunlight such as the trunk. (Storing for long periods of time in high temperatures may cause the resin to deform, resulting in malfunction or abnormal performance.)
- Do not place the product in the following locations for storage or use. Doing so may result in malfunction due to misoperation.
  - Locations subject to direct sunlight.
  - Locations subject to strong vibrations.
  - Locations subject to strong magnetic fields or radio waves.
  - Unstable locations where the product may tip over or fall.
  - Near to fire such as a heater.
  - Locations where a water leak may occur.
  - Locations subject to severe cold.

#### Attention

- The product expiration date is 4 years after purchase. Write the date of purchase on the label attached to this product immediately after purchase.
- Netlauncher is not guaranteed to operate after the expiration date. Therefore, if a product has exceeded its expiration date, use it for training purposes, etc. and then dispose of it.

### 5-2. Disposal

- After use, dispose of this product as "Non-burnable garbage" in accordance with the waste disposal regulations in your area. Contact NIPPON KOKI CO., LTD. for details on how to dispose of unused products.

#### Warning

**Do not put unused products onto a fire. Doing so may cause a serious fire or burns.**

## 6. Troubleshooting

### In case of the following problems

If this happens...	Do this...
Dropped on the floor	<ul style="list-style-type: none"> <li>■ Do not use. Contact NIPPON KOKI CO., LTD. or distributor.</li> </ul>
Dropped into water	
Product is deformed or damaged	
Net cover was removed	

5

5

6

#### Warning

**Never attempt to disassemble, modify or repair this product.**  
(Doing so may cause the product to malfunction, resulting in fire or injury such as blindness.)

**Do not pull out the lock plate unless you intend to use it.**  
(This product may operate, resulting in serious injury such as blindness.)

